

WORK-L 400-4

The ideal solution for linking machines with clamping pallets up to 400 x 400 mm



The WORK-L links different controllers, technologies and pallet sizes from new and existing machines to create an efficient overall system.



Clearly structured control interface. Optionally also integrated directly into the machine controller.



Ergonomic setup station for setup during primary processing, with mechanical interlock for maximum safety

Area of application:

Our WORK-L 400-4 pallet TERMINAL is ideal for linking to all variants of machining centres and milling machines up to a clamping pallet size of 400 x 400 mm. With 3 x 4 pallet stations per element, the unit can be expanded flexibly to suit your requirements. The total capacity and linking to other machines are limited only by the local restrictions of the production workshop. With a maximum transfer weight of up to 400 kg, the system is ideal for compact parts and multi-clamping systems.

Your advantages at a glance:

- **Space-saving** – high pallet density on a minimum footprint
- **Productive** – ready for unmanned shifts
- **Efficient** – setup of your pallets during primary processing
- **High capacity** – transfer weights up to 400 kg
- **Versatile** – can be operated on multiple machines and centres

Options:

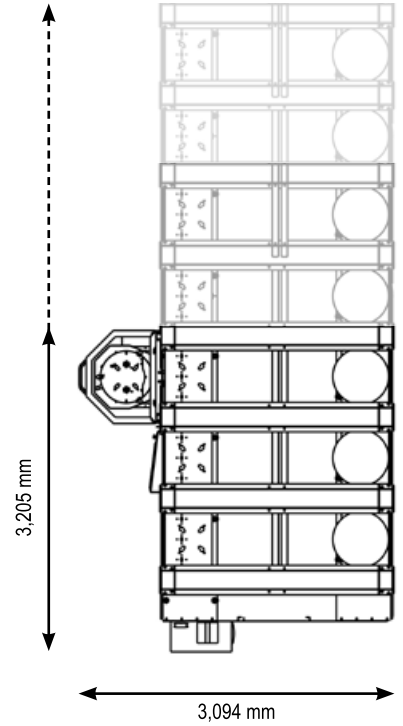
- Multi-machine link can be expanded flexibly
- Additional setup stations for even more efficiency
- Flexible division of the tool slots
- Dedicated pallet management / control using PROCAM

Technical data

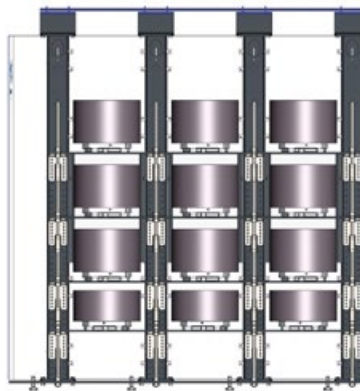
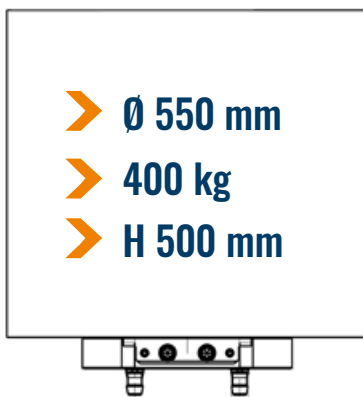


WORK-L 400-4 TERMINAL

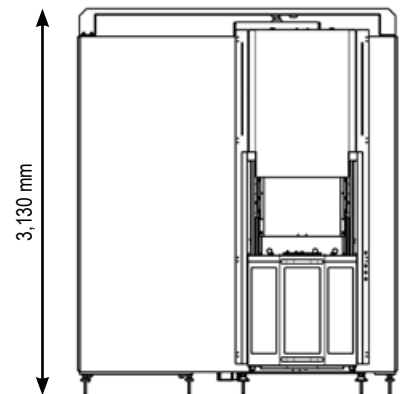
Dimensions	see drawing
Footprint	approx. 7.5 m ² (for 24 stations)
Transfer weight	400 kg
Pallet types	400 x 400 mm 320 x 320 mm Ø 148 mm
Tool dimensions	Ø 550 mm up to 500 mm height
Transfer height	up to 500 mm
Pallet management	PROCAM Augusta PROCAM EMS machine controller
Controller	BECKHOFF TwinCAT3



Maximum dimensions:



Division of the levels:
flexible division of the transfer height from 250 to 500 mm,
each with Ø 550 mm



The setup station for setup during primary processing can be
configured to be on any side of the TERMINAL
(pictured above: face side).